

Data Sheet

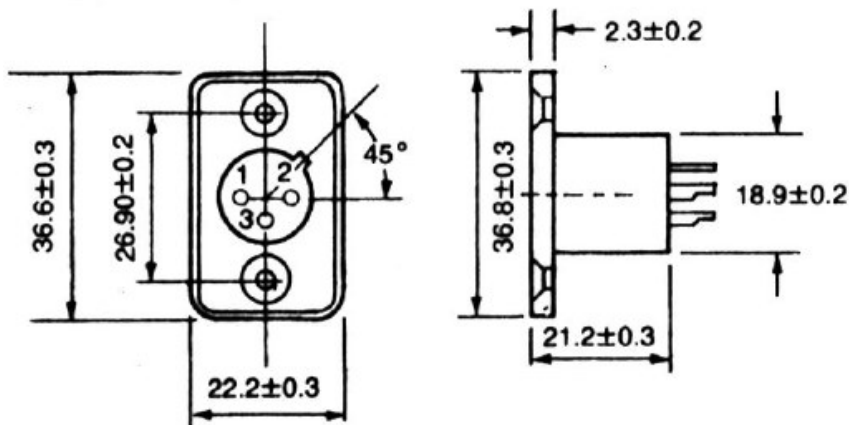
 English (EN)

Product: Panel Mounted Cannon Plug
Product Code: GHT 9051

The Panel Mounted Cannon Plug offers a high level of quality and ease of assembly. offers a high level of quality and ease of assembly. A single fixing screw retains the nickel plating housing which is easily removed for rapid assembly. Solder bucket terminations with integral cable strain relief.



Technical Drawings:



Unit of Sale: Each